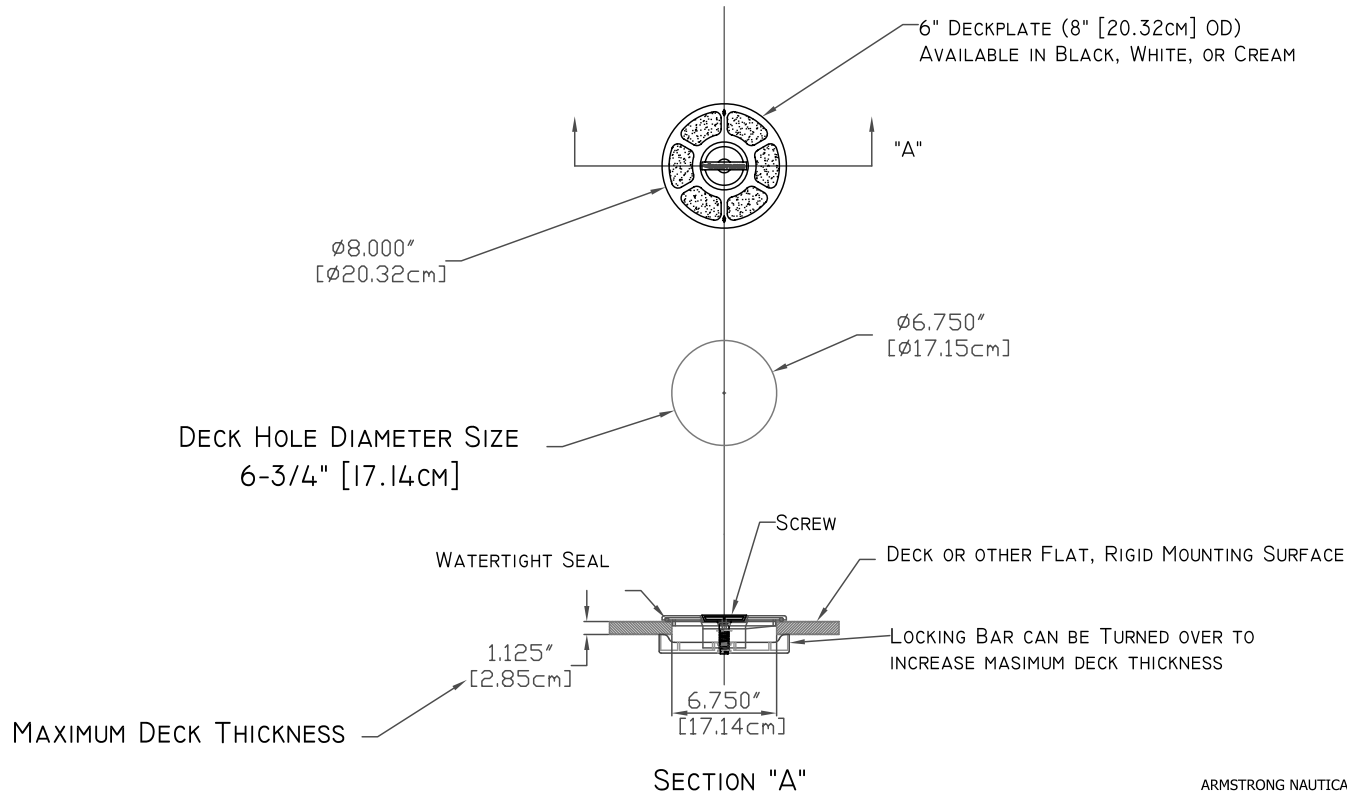




DP-6
DECK PLATE 6"

6" DECKPLATE INSTALLATION



THIS DRAWING CONTAINS INFORMATION PROPRIETARY TO ARMSTRONG NAUTICAL PRODUCTS ANY REPRODUCTIONS DISCLOSURE OR USE OF THIS DRAWING IS EXPRESSLY PROHIBITED EXCEPT AS ARMSTRONG NAUTICAL PRODUCTS MAY OTHERWISE AUTHORIZE IN WRITING. ALL DESIGNS AND/OR PRODUCTS ARE SUBJECT TO CHANGE WITHOUT NOTICE.

ARMSTRONG NAUTICAL PRODUCTS
A Division of Vallery Industries, Inc.

(772) 286-7204 * (800) 226-7204
FAX (772) 288-1339
www.armstrongnautical.com
sales@armstrongnautical.com

01/2008