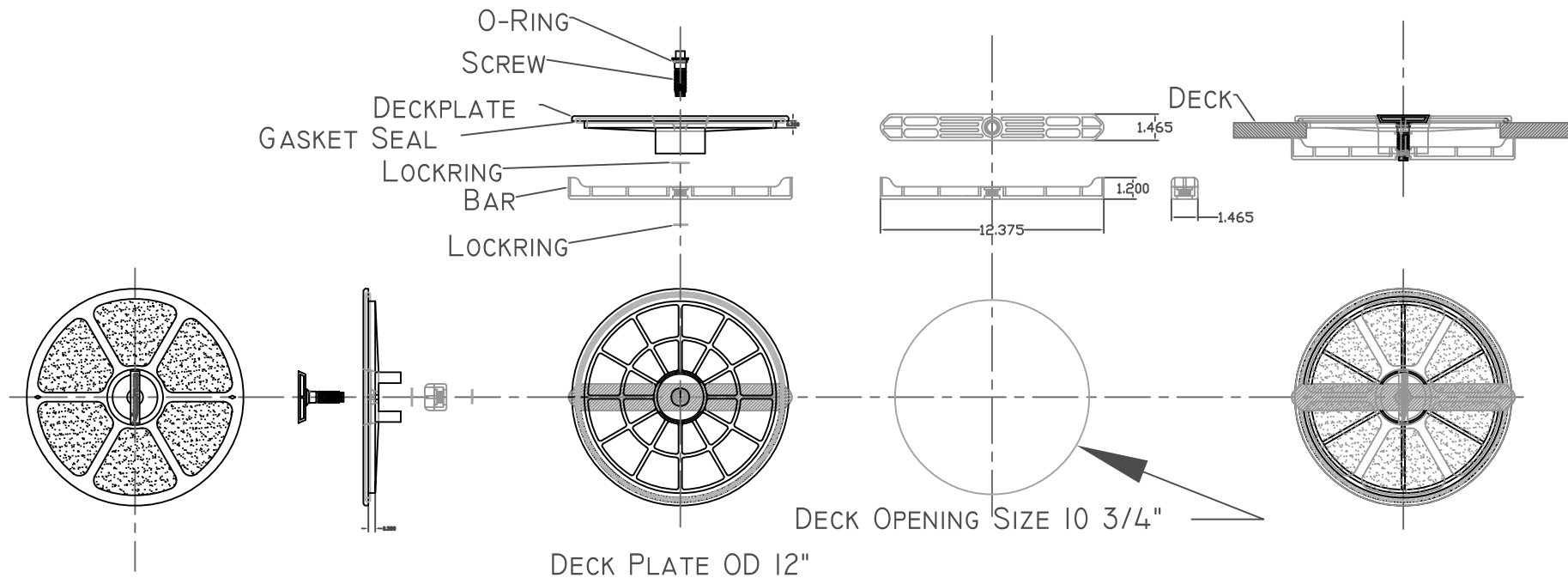



PART USED IN THESE ASSEMBLIES

NAME AND NUMBER	No. REQ'D

THIS DRAWING CONTAINS INFORMATION PROPRIETARY TO ARMSTRONG NAUTICAL PRODUCTS ANY REPRODUCTIONS DISCLOSURE OR USE OF THIS DRAWING IS EXPRESSLY PROHIBITED EXCEPT AS ARMSTRONG NAUTICAL PRODUCTS MAY OTHERWISE AUTHORIZE IN WRITING. ALL DESIGNS AND/OR PRODUCTS ARE SUBJECT TO CHANGE WITHOUT NOTICE.



B				
A				
REVISIONS		DATE	BY	CK'D
 NAUTICAL PRODUCTS, STUART, FL				
DECK PLATE 10		DP-10		
PART NAME		PART NUMBER		
DATE OF ISSUE		02/13/2012		