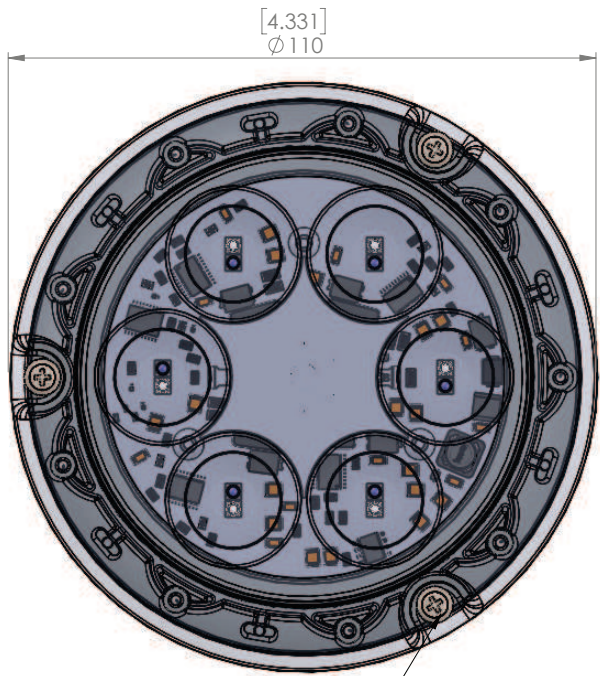
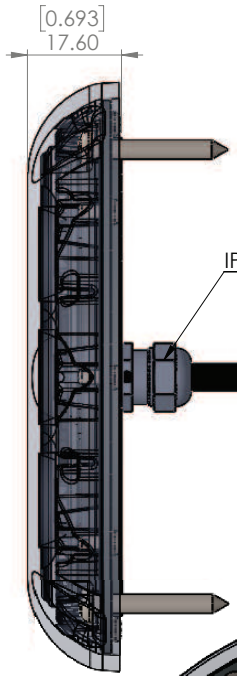


A B C D E F G H I J K

1
2
3
4
5
6
7
8



MOUNTING HOLES 98mm PCD
MOUNTING SCREWS No. 6x25mm



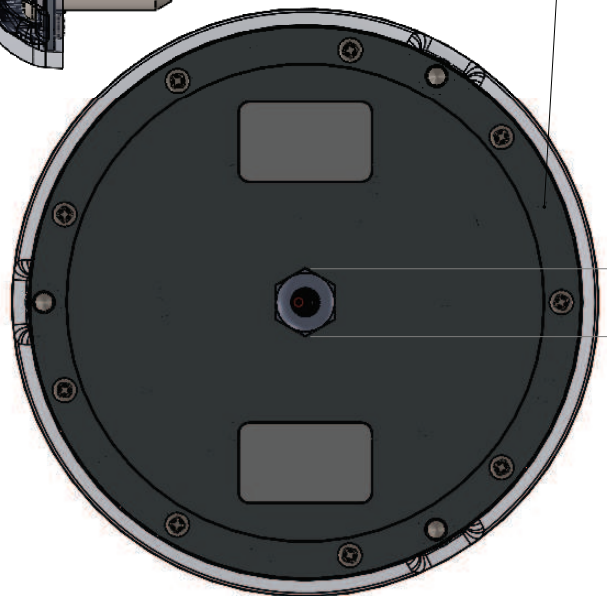
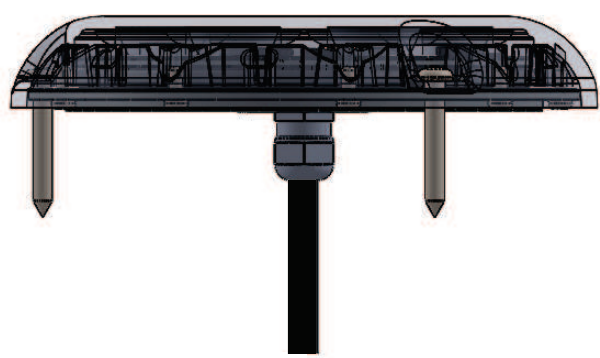
IP68 CABLE CLAND

LENS: 3mm HIGH IMPACT POLYMER WITH ANTI STICK COATING

60° BEAM,ANGLE



SEALANT TRACK



[0.500] Ø13 MINIMUM HOLE DIAMETER

LUMENS	5500
MAX WATTAGE	55
NO. OF LEDs	12
I @ 12V OPTION	4.6
I @ 24V OPTION	2.35
BEAM ANGLE	60 Deg FWHM
LIGHT DIA	110mm (4.3")
LIGHT HEAD HEIGHT	17.6mm (0.7")
LIGHT OVERALL LENGTH	30mm (1.18")
MOUNT HOLE PCD	98mm (3.86")
HULL CUTOUT DIA	13mm (0.5")
LIGHT APERTURE	70mm (2.76")
WEIGHT	500gm
LENS	3mm HIGH IMPACT POLYMER WITH ANTI STICK COATING

OVER VOLTAGE, CURRENT & REVERSE POLARITY PROTECTION WITH INBUILT ACTIVE THERMAL CONTROL AVAILABLE IN SINGLE COLOUR AND DUAL COLOUR MODES

THIRD ANGLE PROJECTION Sheet. 2 of 3 Scale. 1:1 A3



ALL DIMENSIONS ARE IN MILLIMETERS
TOLERANCES ON CASTINGS, UNMACHINED PARTS AND FABRICATIONS, +/- 0.8
TOLERANCES ON MACHINED DIMENSIONS
WHOLE UNITS +/- 0.25
ONE DEC. PLACE +/- 0.1
TWO DEC. PLACE +/- 0.05
ANGLES +/- 0.5 DEG.

Iss	Rev	Status	Date	Change	Drawn	Chk'd	Appv'd
-	-	See Sheet1	-	-	-	-	-

Notes.

Description.	P12		
Material.			
Finish.			
DWG No.	Iss.	Rev.	Status.
GAA-0134 Iss A00A	A00	A	RELEASED

© 2014 COASTLINE LED THIS DOCUMENT MUST NOT BE REPRODUCED IN WHOLE OR IN PART AND MUST NOT BE USED OR DISCLOSED WITHOUT THE WRITTEN AUTHORISATION OF COASTLINE LED. NO DEVIATION FROM THIS DRAWING IS PERMISSABLE WITHOUT WRITTEN AUTHORISATION FROM COASTLINE LED.

ALL UNSPECIFIED CHAMFERS 1 x 45
BREAK ALL SHARP EDGES 0.1 TO 0.5

PPN.