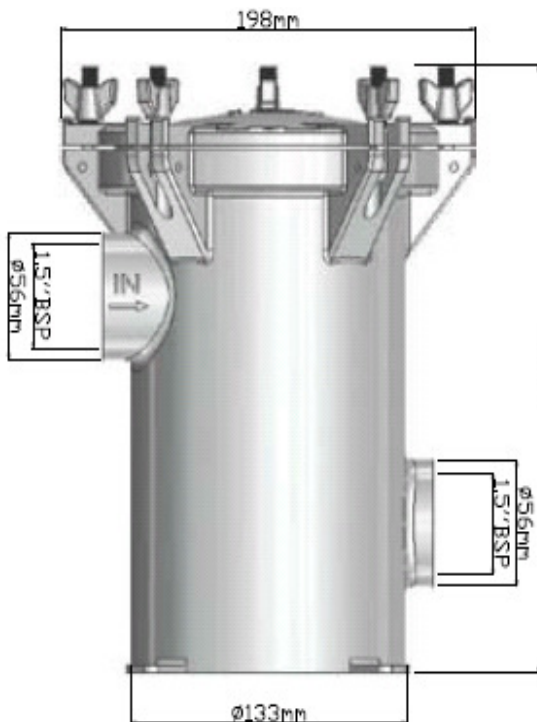




**ARCTIC STEEL**



### AC Series S (Solid Lid) or C (Clear Lid)

- Electro-polished AISI 316 Cast Stainless Steel
- BSP thread (NPT thread on request)
- Side female inlet, side female outlet
- Secured by 5 S/S wing nuts for easy access
- Swing down S/S eye bolts eliminate need to remove nuts
- Solid electro-polished 316 stainless steel lid
- 4 Base mounting lugs for fixing
- Rugged ABS plastic basket. High impact resistance.
- Durable silicone gasket
- Anode connection point on mounting lugs for electrolysis resistance
- Clear 8mm poly carbonate lid option available
- Side mounting bracket available (316 S/S)
- Adjustable bracket extension arm also available (316 S/S)
- **Designed for applications that require a header tank or mounting above the water line. (aircon/genset)**

Sizes	Weight (kg)	Flow Rate 0.1 Bar L/Min	Flow Rate 1 Bar L/Min
WS-AC S	5.2	166	547
WS-AC C	4.5	166	547