

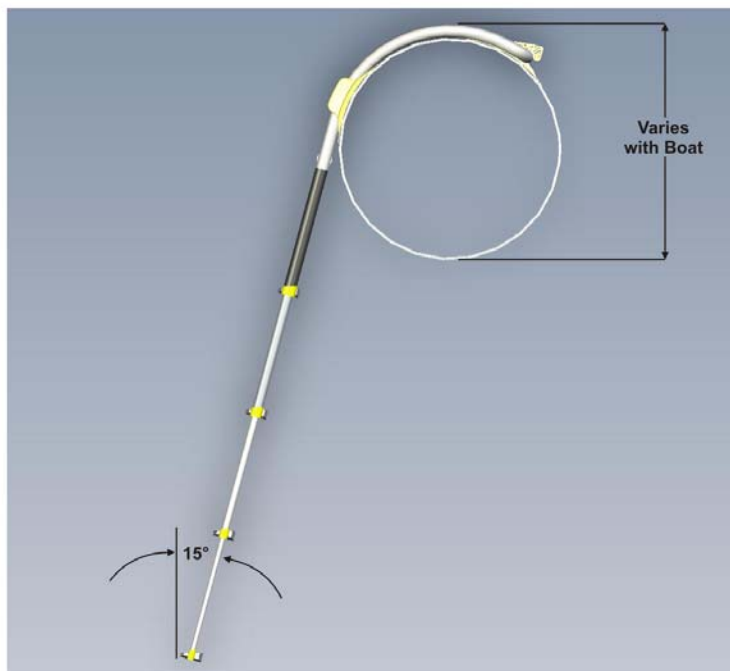
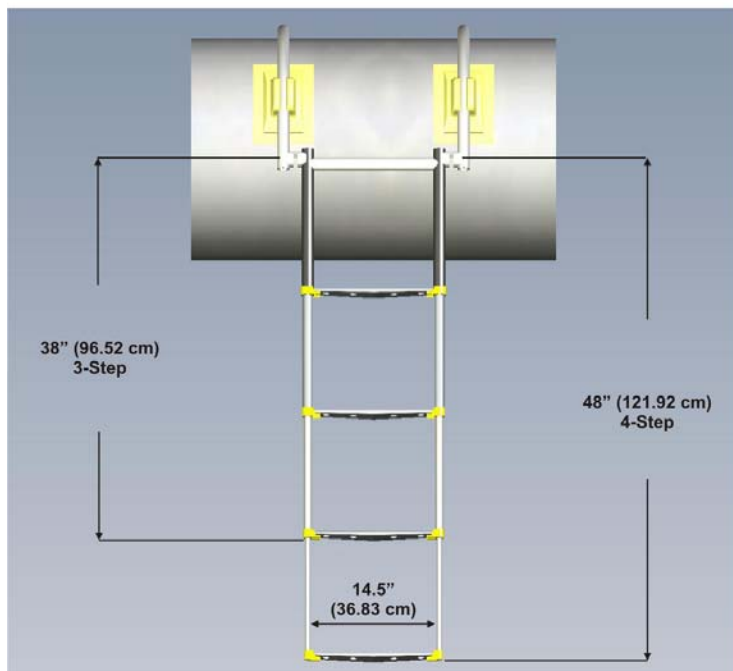
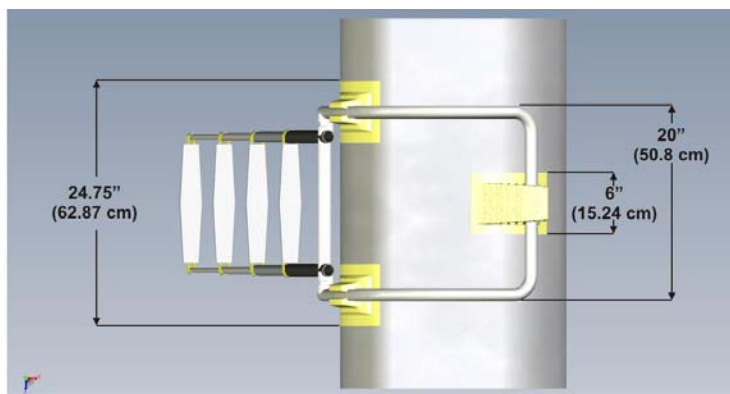
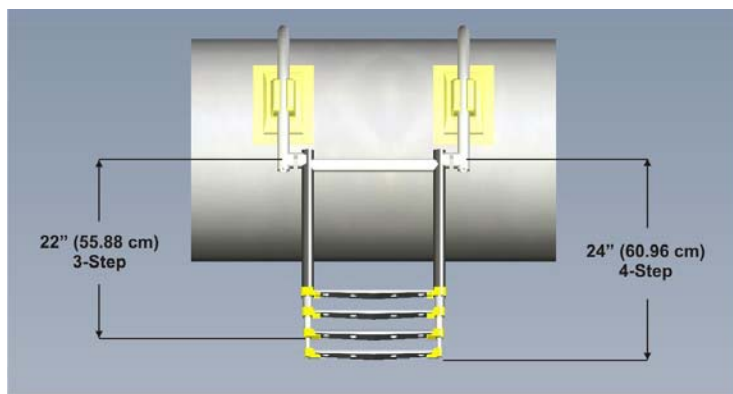


The Ladder that works . . .

. . . now works for RIBs!

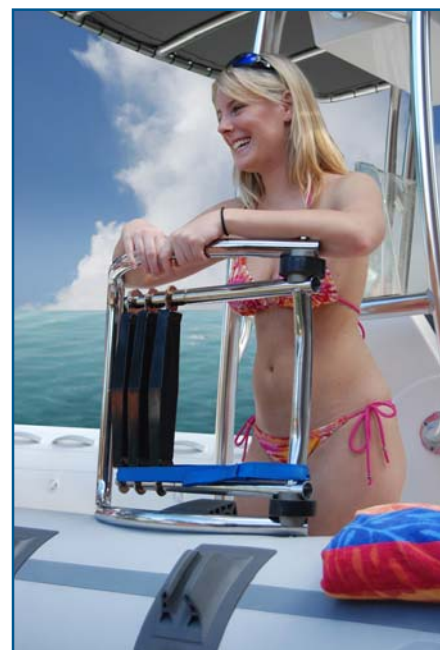


- Surface Mounted - No Holes in Pontoons
- Supports 400+ Pounds
- Maintains Outward Angle - Does Not Push Under Boat



RIB Ladder Advantages . . .

- Surface Mounted - No Holes in Pontoons
- Supports 400+ Pounds, Meets ABYC H-41 Standard
- Maintains Outward Angle - Does Not Push Under Boat
- Comfortable to Use
- Easy to Remove and Replace
- Telescopic - Folds for Compact Stowage
- Stainless Steel Construction
- Soft Mounting Hardware
- Available for Hypalon or PVC
- Mounting hardware sold separately for multiple mounting points
- Rubber Stand-offs help protect mother-ship finishes
- US and EC Patents Pending



3140 S. E. Dominica Terrace
Stuart, FL 34997
www.armstrongnautical.com