

**ARE YOUR  
DECKPLATES  
THIS  
WATERTIGHT?**

*Armstrong Deckplates  
Completely Seal Against  
Water Intrusion.*

**PROTECT YOUR BOAT, YOUR EQUIPMENT AND YOUR  
REPUTATION WITH AN ARMSTRONG WATERTIGHT  
DECKPLATE!**



**Behind Bulkheads**



**Radar Arches**



**Wireways**



**Motor Wells**

**SLASH COSTS!**

- No trim ring to install
- No fasteners
- No sealant or caulking
- No clean-up
- No lost, broken or dirty parts
- Easy installation
- Tool-free operation

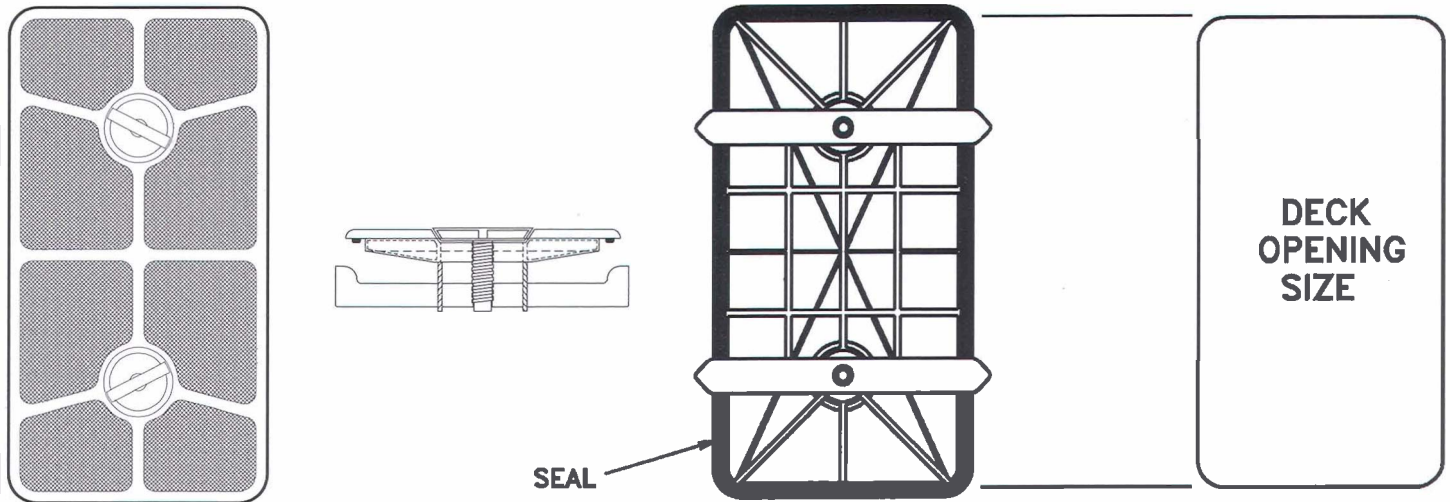
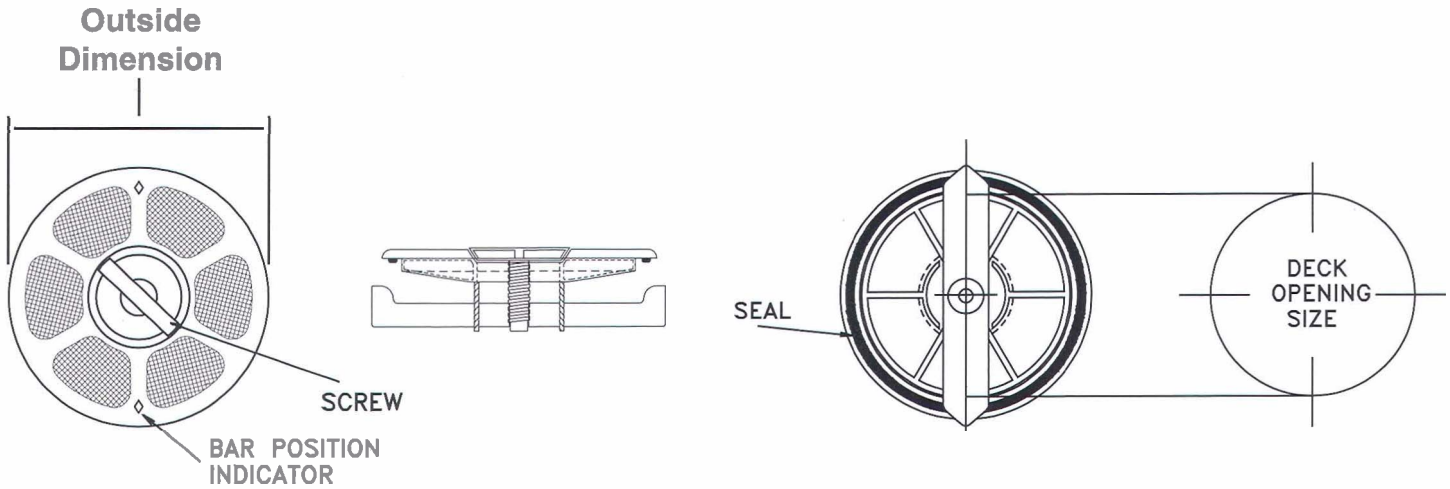
**Colors:  
Black, Cream  
or White**



3140 S. E. Dominica Terrace  
Stuart, FL 34997  
[www.armstrongnautical.com](http://www.armstrongnautical.com)



# Deckplate Assembly View and Dimensions



Deckplate Assembly View and Dimensions

Model	Outside Dimension	Deck Opening Size
DP-6	8 Inches	6.75 Inches
DP-8	10 Inches	8.75 Inches
DP-10	12 Inches	10.75 Inches
DP-10x20	11.25 x 21.25 Inches	10 x 20 Inches with radius corners

Watertight Seal Technical Data

Oil Resistance	Fuel Resistance	Weather Aging	Oxidation	Heat Aging	Water Swell Resistance	Flame Resistance
F/G	F/G	X/G	X	X/G	X/G	P/G

X = Excellent G = Good F = Fair P = Poor

Deckplate Structural Material

Mechanical	Property	ATSM Test Method	Values	Units
	Tensile Strength	D638	3,000 (21)	psi (MPa)
Flex Modulus	D790	200,000 (1,379)	psi (MPa)	
Izod Impact	D256	1.7 (91)	ft-lbs/in (J/m)	
Weatherability	Accelerated Interior Weathering	SAE J1885	Delta E < 3.0	n/a



3140 S. E. Dominica Terrace  
 Stuart, FL 34997  
[www.armstrongnautical.com](http://www.armstrongnautical.com)

(800) 226-7204 • (772) 286-7204  
 FAX (772) 288-1339