

A B C D E F G H I J K

LUMENS	1400
MAX WATTAGE	18
NO. OF LEDs	3
I @ 12V	1.2
I @ 24V	N/A
BEAM ANGLE	60 Deg FWHM
LIGHT DIA	95mm (3.7")
LIGHT HEAD HEIGHT	17.6mm (0.7")
LIGHT OVERALL LENGTH	30mm (1.18")
MOUNT HOLE PCD	82mm (3.23")
HULL CUTOUT DIA	13mm (0.5")
LIGHT APERTURE	56mm (2.2")
WEIGHT	400gm
LENS	3mm HIGH IMPACT POLYMER WITH ANTI STICK COATING

LENS: 3mm HIGH IMPACT POLYMER WITH ANTI STICK COATING

60° BEAM ANGLE

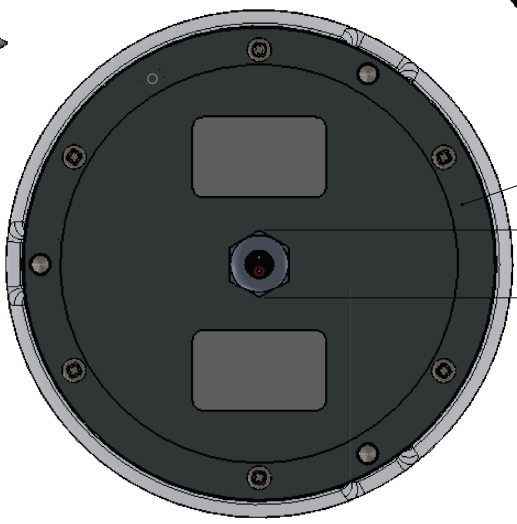
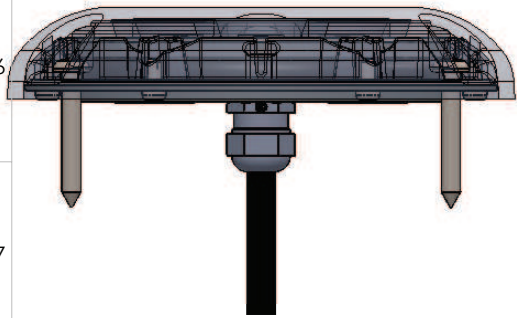
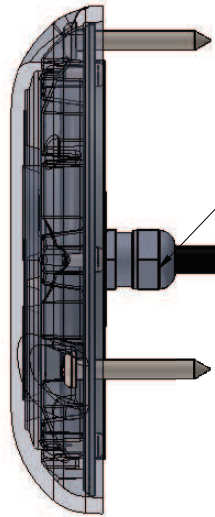
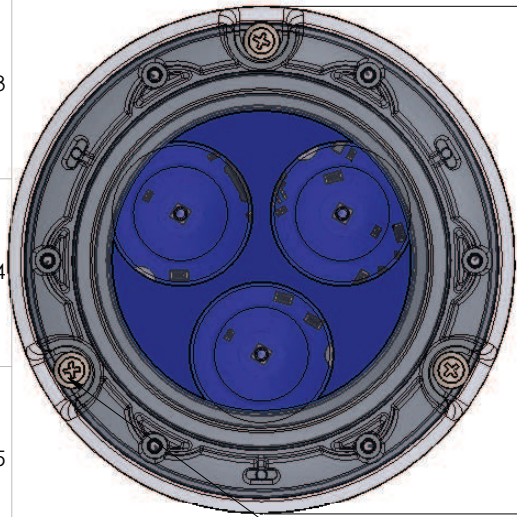
IP68 CABLE GLAND

SEALANT TRACK

MOUNTING HOLES 82mm PCD
MOUNTING SCREWS No.6x25mm

[0.500]
13
MINIMUM
HOLE DIAMETER

[3.740]
Ø 95



THIRD ANGLE PROJECTION Sheet. 2 of 4 Scale. 1:1 A3



Iss	Rev	Status	Date	Change	Drawn	Chk'd	App'v'd	Notes.
-	-	See Sheet 1	-	-	-	-	-	

ALL DIMENSIONS ARE IN MILLIMETERS
TOLERANCES ON CASTINGS, UNMACHINED PARTS AND FABRICATIONS, +/- 0.8
TOLERANCES ON MACHINED DIMENSIONS
WHOLE UNITS +/- 0.25
ONE DEC. PLACE +/- 0.1
TWO DEC. PLACE +/- 0.05
ANGLES +/- 0.5 DEG.
ALL UNSPECIFIED CHAMFERS 1 x 45
BREAK ALL SHARP EDGES 0.1 TO 0.5

Description.	PIRANHA SM3		
Material.			
Finish.			
DWG No.	Iss.	Rev.	Status.
GAA-0100	G00	B	RELEASED

© 2014 COASTLINE LED THIS DOCUMENT MUST NOT BE REPRODUCED IN WHOLE OR IN PART AND MUST NOT BE USED OR DISCLOSED WITHOUT THE WRITTEN AUTHORISATION OF COASTLINE LED. NO DEVIATION FROM THIS DRAWING IS PERMISSIBLE WITHOUT WRITTEN AUTHORISATION FROM COASTLINE LED.