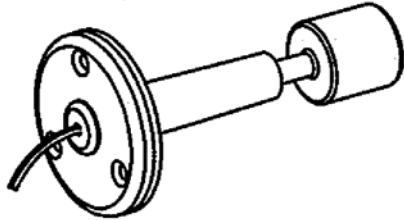
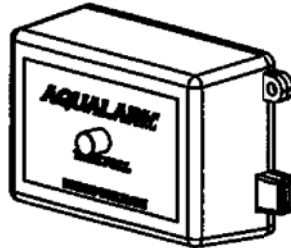


## AQUALARM 12V & 24V Holding Tank Alarm

The AQUALARM is design to indicate a nearly full sewage holding tank and runs on 12 or 24 Volt DC current.



**TANK SENSOR SWITCH AND GASKET**  
P/N 90311, 90460 (Long Switch)



**SURFACE CONTROL PANEL**  
P/N 12 Volt: 90310  
P/N 24 Volt: 90914

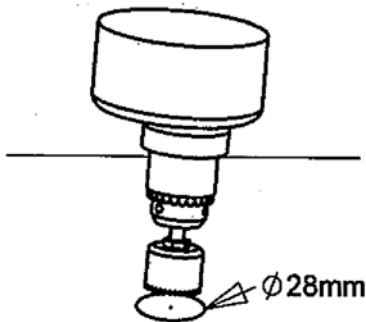


**RECESSED CONTROL PANEL**  
P/N 12 Volt: 90309  
P/N 24 Volt: 90915

### CAUTION! DO NOT USE IN FUEL TANK

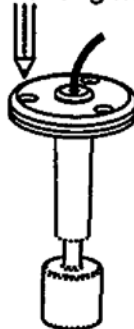
#### 1 TANK SENSOR SWITCH

Using a 28mm hole saw cut a hole in the top of the tank, as far as possible from the other fittings.



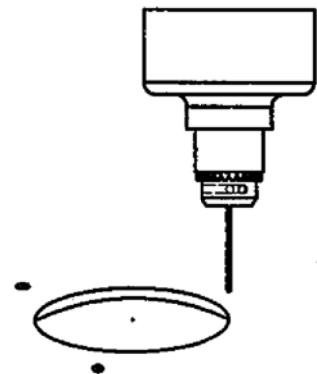
#### 2

Place switch in 28mm hole and mark through mounting holes.



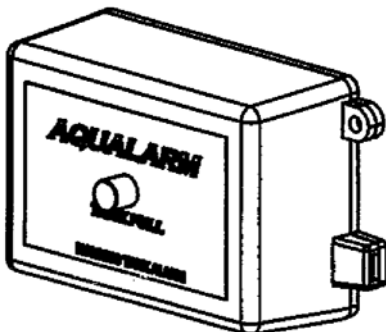
#### 3

Drill 2mm dia mounting holes. DO NOT ASSEMBLE YET



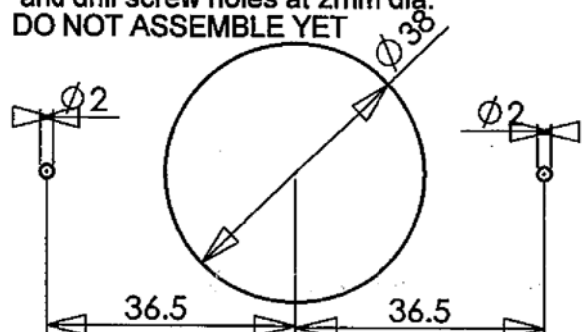
#### 4 SURFACE CONTROL PANEL

Find a suitable position and hold in place to mark through screw hole positions. Remove and drill 2mm dia holes for screws. The Surface Control Panel can now be mounted.



#### 5 RECESSED CONTROL PANEL

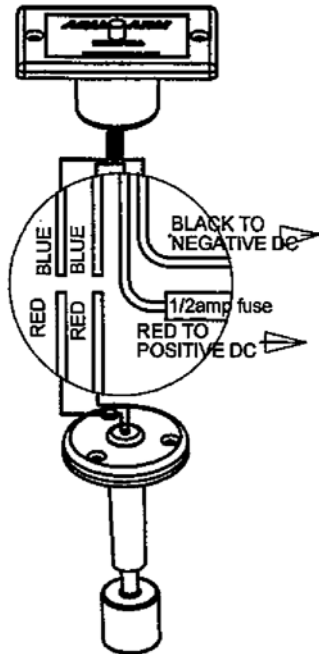
Find a suitable position and with a 38mm hole saw cut a hole. Position Recess Control Panel and mark through screw hole positions, remove and drill screw holes at 2mm dia. DO NOT ASSEMBLE YET



## 6 CIRCUIT DIAGRAM

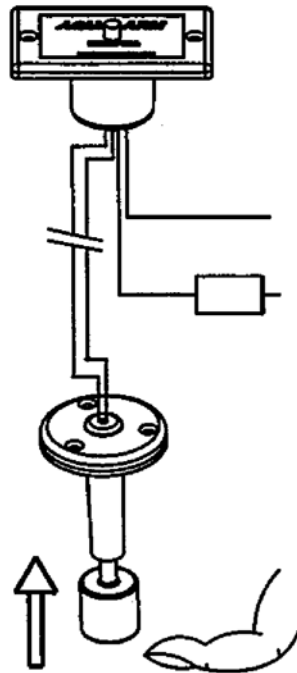
Connect to a 12-volt or 24-volt DC circuit as shown in the wiring diagram below.

Note: the RED wire is connected through 1/2 AMP FUSE to the POSITIVE DC source.  
(fuse not supplied)



## 7 TEST CIRCUIT

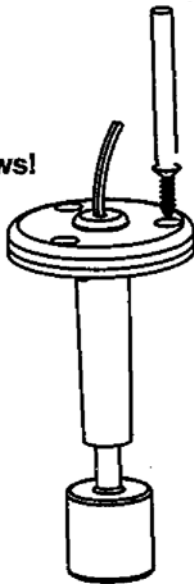
Check power source is ON.  
Hold Switch Assembly in an upright position as shown with the float to the bottom. The light should be OUT.  
Lift the float switch and the light should come ON.



## 8 TANK SENSOR SWITCH

With the screws provided, fit the Sender Switch Assembly with Gasket.

**NOTE:-**  
Do not over tighten screws!



## 9 RECESSED CONTROL PANEL

Position Recessed Control Panel and fasten in place being careful to not over tighten the screws.



## TRU-DESIGN PLASTICS LTD.

243 Ti Rakau Drive, East Tamaki 2013  
P.O. Box 14-555 Panmure 1741  
Auckland, New Zealand

T: +64 9 274 5792  
F: +64 9 274 6722  
E: office@trudesignplastics.com

www.trudesignplastics.com